



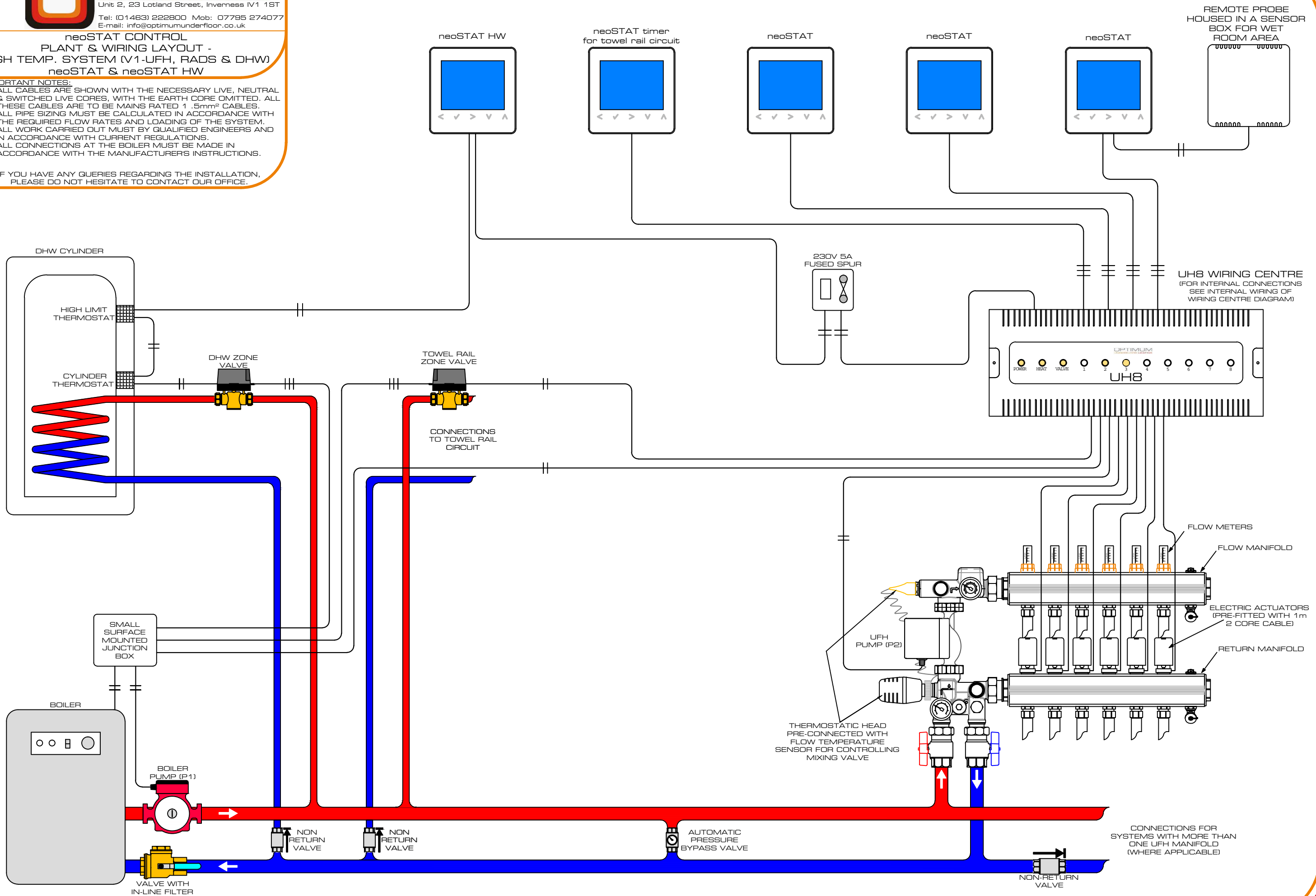
OPTIMUM
UNDERFLOOR HEATING
 Unit 2, 23 Lotland Street, Inverness IV1 1ST
 Tel: (01463) 222800 Mob: 07795 274077
 E-mail: info@optimumunderfloor.co.uk

**neoSTAT CONTROL
 PLANT & WIRING LAYOUT -
 HIGH TEMP. SYSTEM (V1-UFH, RADS & DHW)
 neoSTAT & neoSTAT HW**

- IMPORTANT NOTES:**
1. ALL CABLES ARE SHOWN WITH THE NECESSARY LIVE, NEUTRAL & SWITCHED LIVE CORES, WITH THE EARTH CORE OMITTED. ALL THESE CABLES ARE TO BE MAINS RATED 1.5mm² CABLES.
 2. ALL PIPE SIZING MUST BE CALCULATED IN ACCORDANCE WITH THE REQUIRED FLOW RATES AND LOADING OF THE SYSTEM.
 3. ALL WORK CARRIED OUT MUST BY QUALIFIED ENGINEERS AND IN ACCORDANCE WITH CURRENT REGULATIONS.
 4. ALL CONNECTIONS AT THE BOILER MUST BE MADE IN ACCORDANCE WITH THE MANUFACTURERS INSTRUCTIONS.

IF YOU HAVE ANY QUERIES REGARDING THE INSTALLATION,
 PLEASE DO NOT HESITATE TO CONTACT OUR OFFICE.

IMPORTANT NOTE: ALL THERMOSTATS ARE FLUSH MOUNTED AND REQUIRE A 35mm SINGLE GANG WALL BOX FOR INSTALLATION



CONNECTIONS FOR SYSTEMS WITH MORE THAN ONE UFH MANIFOLD (WHERE APPLICABLE)