

STANDARD CONTROL - UH8 WIRING CENTRE (V1-UFH) (DIGISTATS & CLOCKSTAT) (LOW TEMP. SYSTEM)

NOTES TO ELECTRICIAN:
NOTE 1 - OPTIONAL UFH ZONE VALVE
 These connections are for opening a zone valve serving the UFH manifold. As our system does not require a zone valve on the UFH circuit, the 'Gr' and 'Or' terminals must be linked out as shown.

NOTE 2 - MANIFOLD ACTUATORS
 The manifold actuators come pre-fitted with a 2 core cable. These must be connected as shown. A maximum of 4 actuators can be connected to each zone output (i.e. maximum 2 cores per 'L' and 'N' terminal)

NOTE 3 - BOILER CONNECTIONS
 The connections used to fire the heat source are shown as volt free. All connections at the heat source must be made in accordance with the manufacturer's instructions.

NOTE 4 - ZONE 8 SWITCH
 The zone 8 slide switch inside the UH8 wiring centre must be set to 'UFH'. This allows the 'ZONE 8 THERMOSTAT' connections to enable the 'UFH VALVE', 'UFH PUMP' and 'BOILER' outputs if a switched live demand is received from the thermostat connected into zone 8.

NOTE 5 - RT 500 CLOCKSTAT
 The RT 500 programmable clock thermostat must be connected to the 'TIMECLOCK' terminals 'L' and 'N' in the UH8 wiring centre, as shown.

NOTE 6 - DIGITAL THERMOSTATS
 All digital thermostats and digital bathstats must be connected to the 'ZONE THERMOSTATS' terminals 'L' and 'N' in the UH8 wiring centre, as shown.

NOTE 7 - REMOTE SENSOR FOR BATHSTAT
 The digital bathstat will be wall mounted outside the 'wet room'. The remote sensor will be wall mounted inside the 'wet room'. The remote sensor 'TB1' terminals will be connected to terminals '4' & '5' in the digital thermostat, as shown - this connection is not polarity dependant. The remote sensor must be connected before inserting the batteries into the digital thermostat.

NOTE 8 - COMMON POWER SUPPLY
 The mains power to the UH8 wiring centre must be supplied from a common 5 amp fused spur which will supply all heating circuits. This will provide a single point of isolation.

SYSTEM SET-UP:
 Once the installation is completed, all the thermostats (digital roomstats, bathstats and clockstats) must have the batteries inserted. The individual roomstats and bathstats must then be set to the desired room air temperature (please refer to the manufacturer's instructions).
 The RT 500 clockstat will provide an overall set-back function. Therefore during occupied heating or set-point times (e.g. daytime), the set-point temperature of the clockstat should be set to an artificially high temperature (typically 27°C). This will allow full control to the individual roomstats and bathstats. During unoccupied or set-back times (e.g. work hours or night time), the set-back temperature of the clockstat should be set to, a maximum of, 4°C less than the average temperature of the roomstat/bathstats. (e.g. if average temperature of the roomstat/bathstat is 20°C, then the clockstat should be set to 20°C - 4°C = 16°C). We do not recommend lowering the set-back temperature any further than 4°C below the average temperature of the roomstat/bathstats.

IF YOU HAVE ANY QUERIES REGARDING THE INSTALLATION, PLEASE DO NOT HESITATE TO CONTACT OUR OFFICE.

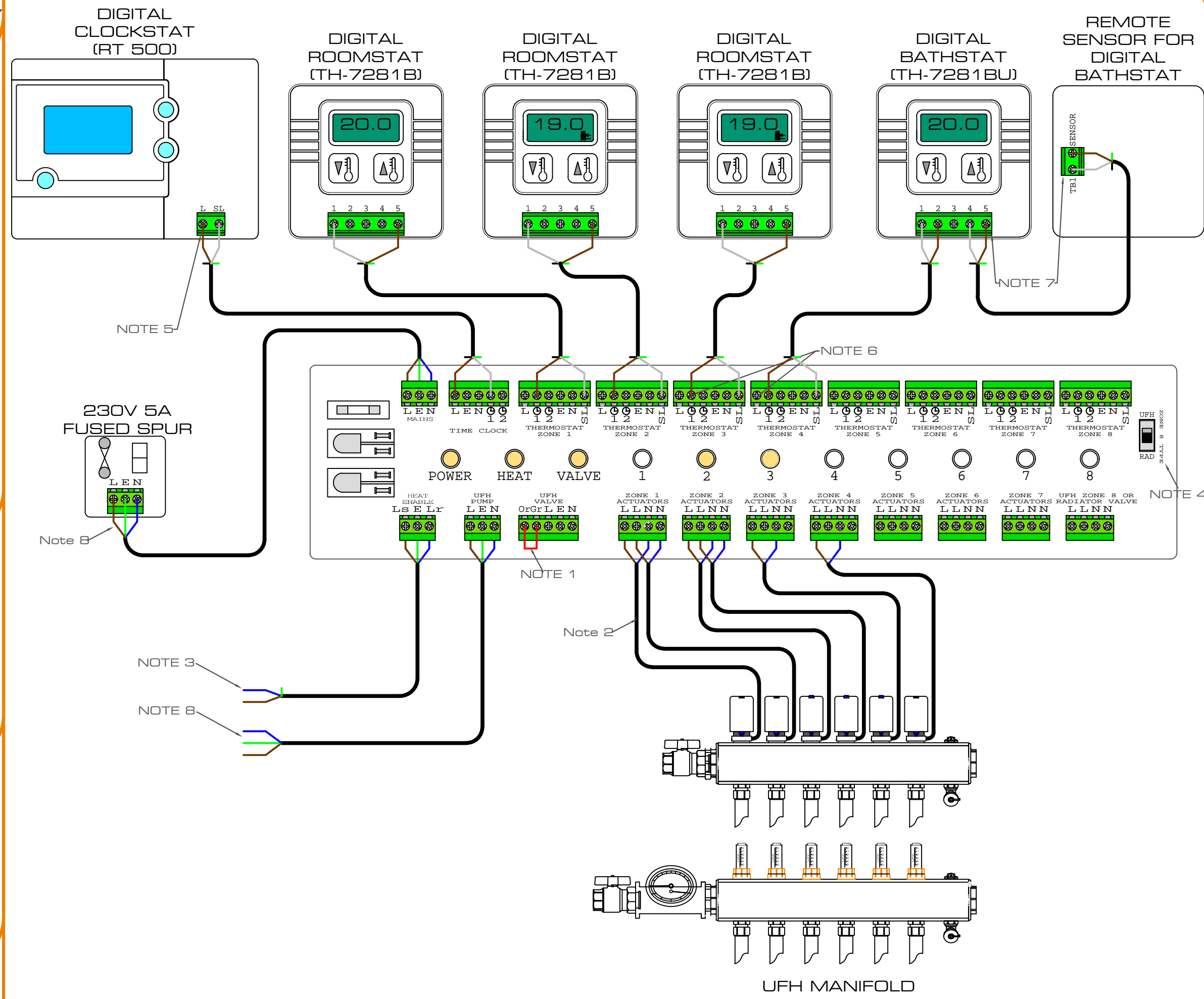
- CABLES REQUIRED FOR INSTALLATION:**
- 230V 1.5mm² 3 CORE & EARTH (earth & black core not used)
 - 230V 1.5mm² 2 CORE & EARTH
 - 230V 1.5mm² 2 CORE & EARTH (earth core not used)

Although the digital thermostats and clockstat are battery powered and therefore only require 2 core connections, we strongly advise that the 3 core & earth cables are installed. This will allow other thermostats to be installed at a later date if desired.

PRE-FITTED CABLES:
 The manifold actuators come with pre-fitted 2 core cables. If these cables have to be extended, please ensure that continuity is maintained across all colour coded connections.

ALL MAINS VOLTAGE COMPONENTS, CONNECTIONS AND WIRING MUST BE INSTALLED BY A QUALIFIED ELECTRICIAN.
THE INSTALLATION MUST BE COMPLIANT WITH CURRENT REGULATIONS, BS 7671 & IEC 60364.

IMPORTANT NOTE: ALL THERMOSTATS ARE FLUSH MOUNTED AND REQUIRE A 35mm SINGLE GANG WALL BOX FOR INSTALLATION. THIS DRAWING IS PURELY INDICATIVE AND DOES NOT REPRESENT THE EXACT INSTALLATION FOR THIS PROJECT.



UFH MANIFOLD