



OPTIMUM UNDERFLOOR HEATING

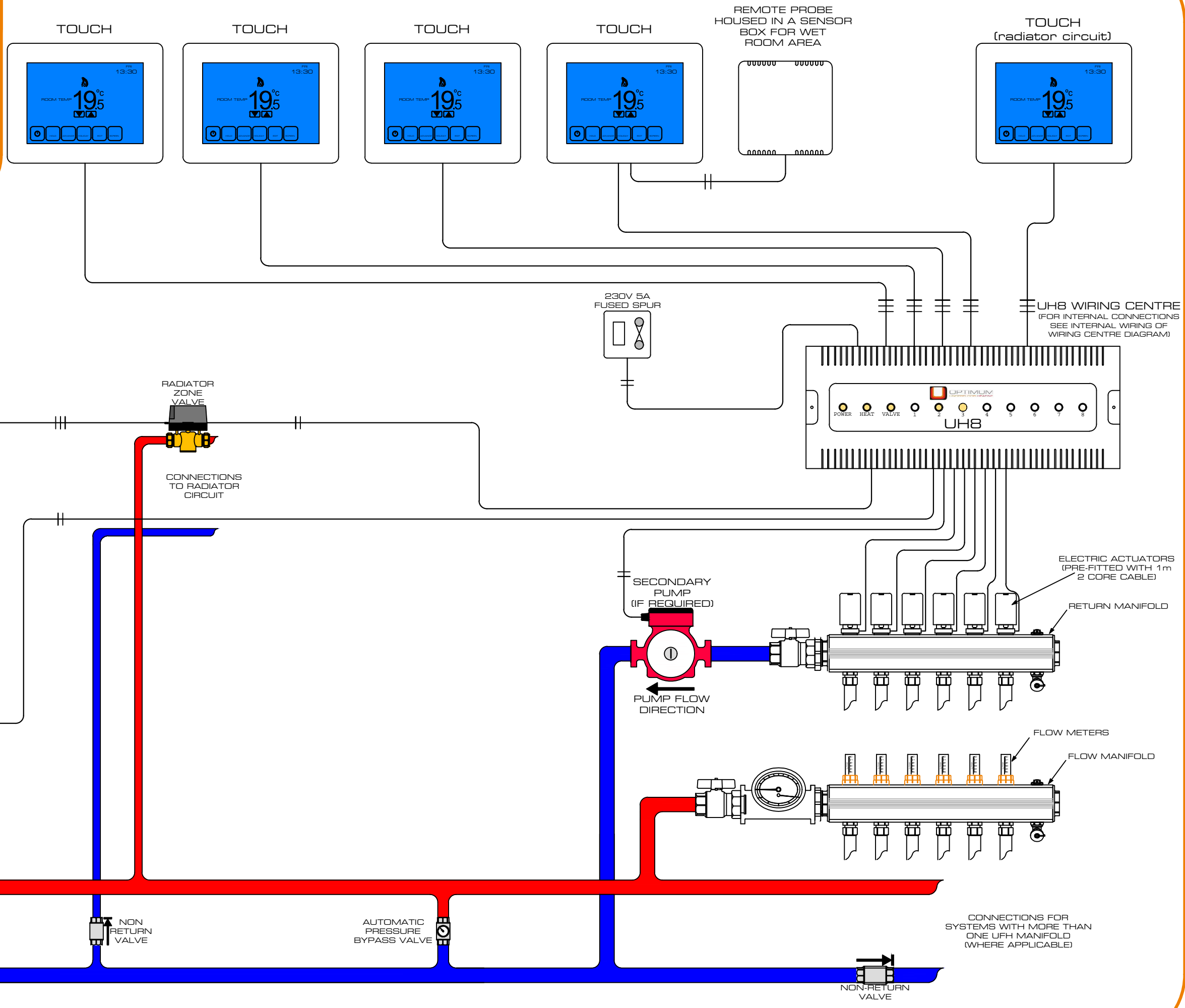
Unit 2, 23 Lotland Street, Inverness IV1 1ST
Tel: (01463) 222800 Mob: 07795 274077
E-mail: info@optimumunderfloor.co.uk

INTELLIGENT TOUCHSCREEN CONTROL
PLANT & WIRING LAYOUT - LOW TEMP. SYSTEM
(V2-UFH & RAD)
TOUCH V2 THERMOSTATS

IMPORTANT NOTES:

1. ALL CABLES ARE SHOWN WITH THE NECESSARY LIVE, NEUTRAL & SWITCHED LIVE CORES, WITH THE EARTH CORE OMITTED. ALL THESE CABLES ARE TO BE MAINS RATED 1.5mm² CABLES.
2. ALL PIPE SIZING MUST BE CALCULATED IN ACCORDANCE WITH THE REQUIRED FLOW RATES AND LOADING OF THE SYSTEM.
3. ALL WORK CARRIED OUT MUST BY QUALIFIED ENGINEERS AND IN ACCORDANCE WITH CURRENT REGULATIONS.
4. ALL CONNECTIONS AT THE BOILER MUST BE MADE IN ACCORDANCE WITH THE MANUFACTURERS INSTRUCTIONS.

IF YOU HAVE ANY QUERIES REGARDING THE INSTALLATION, PLEASE DO NOT HESITATE TO CONTACT OUR OFFICE.



SWITCH LIVE OR VOLT FREE CONTACT FOR HEAT DEMAND SIGNAL TO PRIMARY PLANT (IF REQUIRED)

LOW TEMPERATURE PUMPED FLOW AND RETURN CONNECTIONS FROM PRIMARY PLANT

CONNECTIONS FOR SYSTEMS WITH MORE THAN ONE UFH MANIFOLD (WHERE APPLICABLE)