

IMPORTANT NOTE: ALL THERMOSTATS ARE FLUSH MOUNTED AND REQUIRE A 35mm SINGLE GANG WALL BOX FOR INSTALLATION. THIS DRAWING IS PURELY INDICATIVE AND DOES NOT REPRESENT THE EXACT INSTALLATION FOR THIS PROJECT.

INTELLIGENT TOUCHSCREEN CONTROL - UH8 WIRING CENTRE (V3-UFH) TOUCH & TOUCH DUO (LOW TEMP. SYSTEM)

NOTES TO ELECTRICIAN:
NOTE 1 - LIVE LINK CONNECTIONS
 All links shown between 'L' and 'A1/B1/COM' terminals must be fitted as shown and labelled accordingly.

NOTE 2 - OPTIONAL UFH ZONE VALVE
 These connections are for opening a zone valve serving the UFH manifold. As our system does not require a zone valve on the UFH circuit, the 'Gr' and 'Or' terminals must be linked out as shown.

NOTE 3 - MANIFOLD ACTUATORS
 The manifold actuators come pre-fitted with a 2 core cable. These must be connected as shown. A maximum of 4 actuators can be connected to each zone output (i.e. maximum 2 cores per 'L' and 'N' terminal)

NOTE 4 - TOUCH DUO THERMOSTATS
 The TOUCH DUO must be connected to the UH8 wiring centre with a 3 core (& earth) cable and a 2 core cable. The 3 core (& earth) cable is to be used for the 'L', 'N' and 'A2' to 'SL' connections as shown (N.B. The earth core is not used). The 2 core cable is to be used for the 'B2' to 'SL' connections as shown (N.B. The blue core of the 2 core cable must be used for the 'B2' to 'SL' connection and labelled accordingly, the brown core is not used). The TOUCH DUO thermostats must be connected to the remote probe, as shown, with a 2 core cable. The probe is pre-fitted with a length of 2 core cable. If required this can be extended using a small junction box - continuity across the connections must be maintained. The probe will be installed inside a blank sensor case.

NOTE 5 - BOILER CONNECTIONS
 The connections used for a heat demand for the boiler/primary plant system are shown as volt free. All connections at the boiler/primary plant must be made in accordance with the manufacturer's instructions.

NOTE 6 - COMMON POWER SUPPLY
 The mains power to the UH8 wiring centre must be supplied from a common 5 amp fused spur which will supply all heating circuits. This will provide a single point of isolation.

NOTE 7 - RADIATOR CIRCUIT CONTROL
 A TOUCH thermostat installed in an area being heated via radiators is used to control the time and temperature of the radiator circuit. This thermostat must be wired into the connections for 'ZONE 8'. The slide switch inside the UH8 wiring centre must be set to 'RAD'. The radiator circuit zone valve must be connected to the 'L' and 'N' of 'ZONE 8 OUTPUT' terminals in the UH8 wiring centre. The auxiliary contacts must be connected to the 'BOILER ENABLE' terminals in the UH8 wiring centre. The radiator zone valve must have an earth connection (this could be connected to the 'E' terminal in the UH8 wiring centre as shown)

NOTE 8 - 230v OUTPUT FOR UFH PUMP
 These connections are to be used to fire the circulating pump supplying the underfloor heating circuits. If required this signal can be taken through an auxiliary contact at the primary plant - this will allow the primary plant system to override whether the underfloor heating system can draw heat or not.

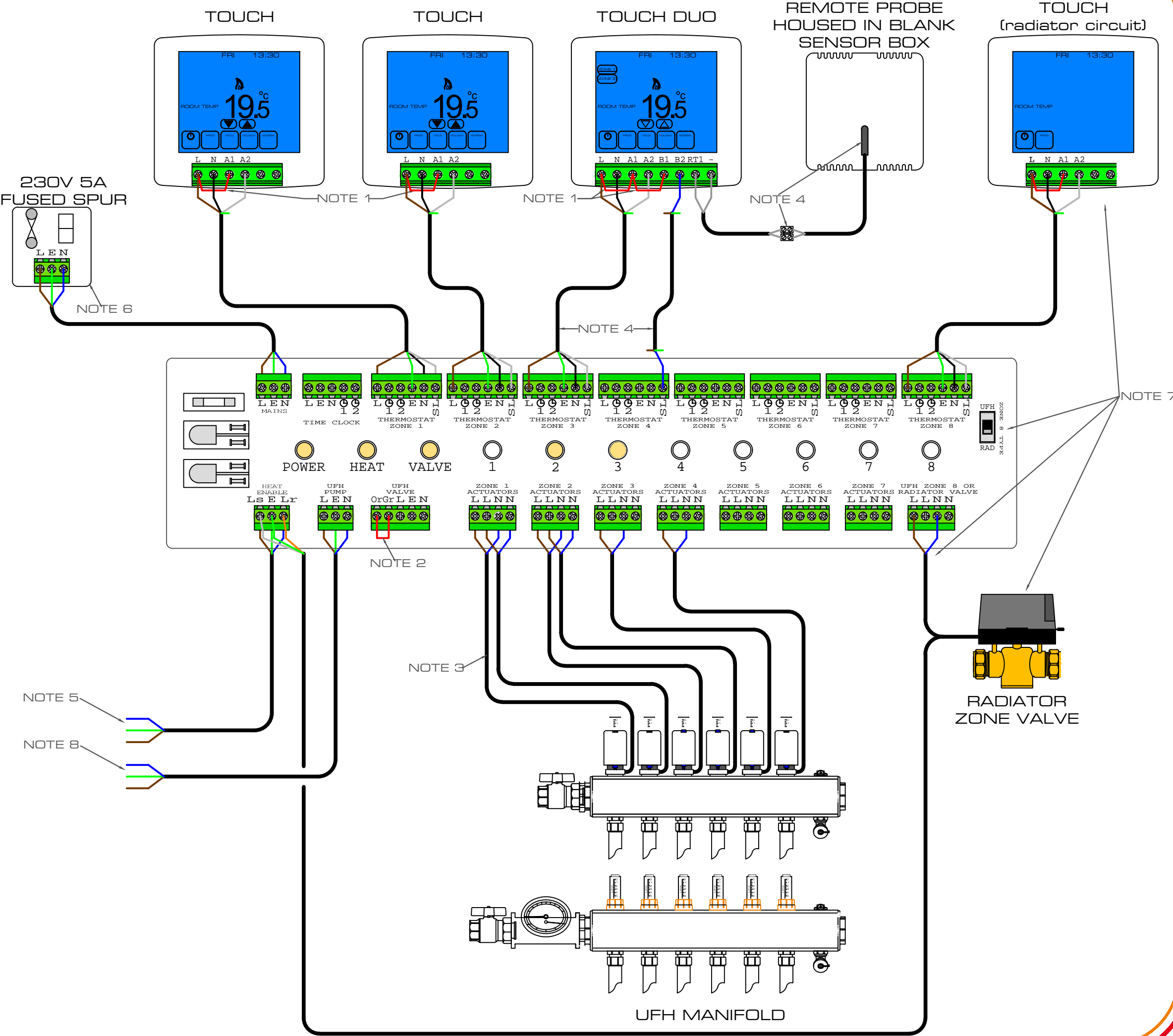
IF YOU HAVE ANY QUERIES REGARDING THE INSTALLATION, PLEASE DO NOT HESITATE TO CONTACT OUR OFFICE.

- CABLES REQUIRED FOR INSTALLATION:**
- 230V 1.5mm² 3 CORE & EARTH (earth core not used)
 - 230V 1.5mm² 2 CORE & EARTH
 - 230V 1.5mm² 2 CORE & EARTH (earth core not used)
 - 230V 1.5mm² 2 CORE & EARTH (earth & brown cores not used)
 - 230V 1.5mm² 2 CORE & EARTH (earth & blue cores not used)

PRE-FITTED CABLES:
 The manifold actuators and zone valves come with pre-fitted cables. If these cables have to be extended, please ensure that continuity is maintained across all colour coded connections.

ALL MAINS VOLTAGE COMPONENTS, CONNECTIONS AND WIRING MUST BE INSTALLED BY A QUALIFIED ELECTRICIAN.

THE INSTALLATION MUST BE COMPLIANT WITH CURRENT REGULATIONS, BS 7671 & IEC 60364.



230V 5A FUSED SPUR

NOTE 6

NOTE 5

NOTE 8

NOTE 1

NOTE 1

NOTE 4

NOTE 7

NOTE 2

NOTE 3

NOTE 4

RADIATOR ZONE VALVE

UFH MANIFOLD